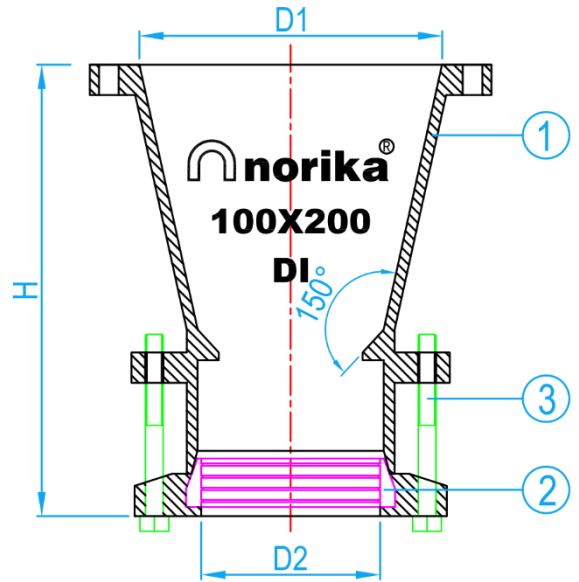
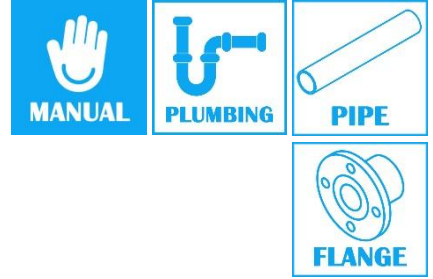


EPOXY-COATED DUCTILE IRON REDUCING COUPLING

COMPLY WITH AS/NZS 4020:2018



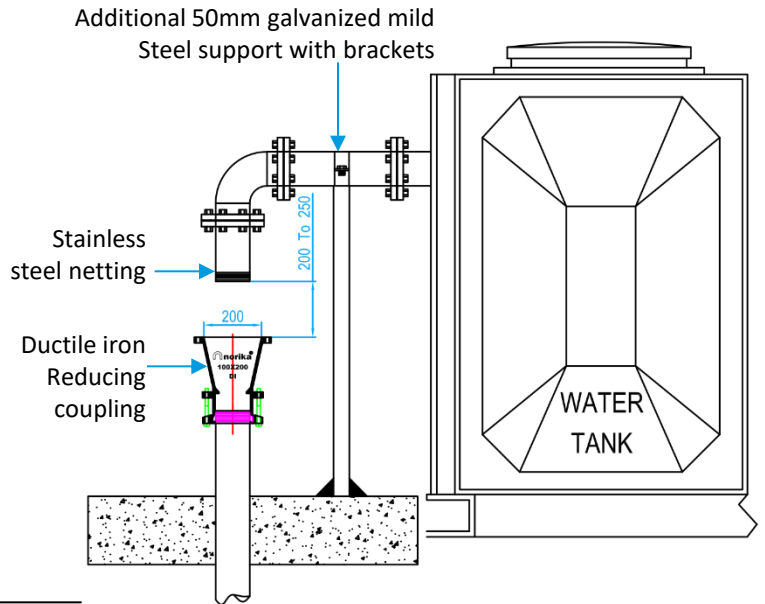
CROSS SECTIONAL VIEW

OPERATING PRESSURE	
Nominal Pressure	PN16

COMPONENT PARTS		
ITEM	PARTS	MATERIAL
1.	Body	Epoxy-coated Ductile Iron
2.	Seal Ring	EPDM
3.	Bolt	Galvanized Iron

STANDARD SPECIFICATIONS

SKU	D1 (mm)	D2 (mm)	H (mm)	WEIGHT (kg)
DIFEJ100200EPC	200	118	302	14.5



OVERFLOW PIPE LAYOUT AFTER MODIFICATION